



DESIGNS, LLC  
**BlueMarble**

2465 Discovery Bay Blvd.  
Discovery Bay, CA 94505

Video assembly instructions available at:  
[www.bluemarbledesigns.com](http://www.bluemarbledesigns.com)

# Landover Arbor Assembly Instructions

**Congratulations!** You have just purchased a quality garden arbor from Blue Marble Designs. Please examine the contents of your package carefully before assembling your new arbor. If any parts are damaged or missing, please contact us directly at:

Blue Marble Designs  
2465 Discovery Bay Blvd  
Discovery Bay, CA 94505  
925-262-9646  
925-262-9661  
[www.bluemarbledesigns.com](http://www.bluemarbledesigns.com)



## Parts List

Item	Component Overview	Qty
Ⓐ		2
Ⓑ		2
Ⓒ		3
Ⓓ		4
Item	accessories Overview	Qty
ⒶⒶ		8
ⒶⒷ		18
ⒶⒸ		4
ⒶⒹ		4

Leg Frame Assembly

Top Front Rail

Top Rail Cleat

Corner Brace

Small Wood Screws

Large Wood Screws

Machine Bolt

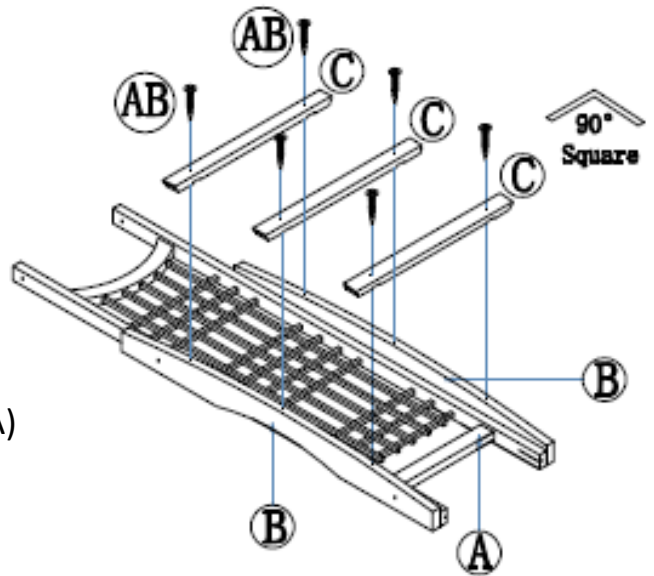
Ground Anchor

### Tools Needed:

- 1 screwdriver (manual or power)
- 1 Allen wrench (provided)



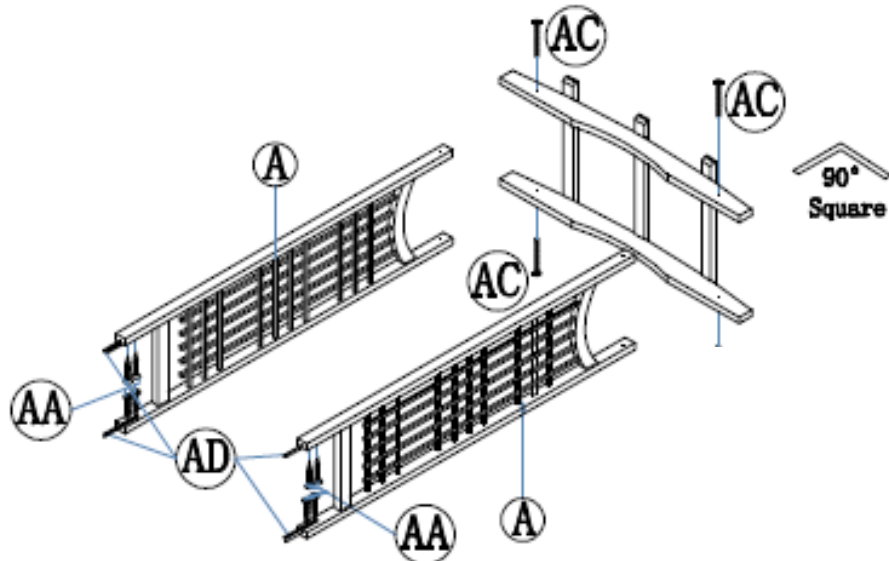
## Step 1



1. Using one of the Leg Frame Assemblies (A) as a spacer, position the two Top Rails (B) as shown in Step 1 above. NOTE: The Top Rails have pre-drilled holes located on the inner side for the corner braces.

2. Secure the three Top Rail Cleats (C) to the Top Rails using 6 Large Wood Screws (AB).
- Pilot holes have been provided to locate the Top Rail Cleats.
  - Be sure that the Cleats are square (90°) to the Top Rails before tightening all of the screws.

## Step 2



3. Slide the 2 posts of the Leg Frame Assembly (A) between the Top Rails as shown in Step 2 above.

- Be sure that the vertical portion of the decorative lattice sides of the Leg Frame Assemblies are facing outward (horizontal lattice is on the inside).

4. Secure both Leg Frame Assemblies to the Top Rails using the 4 Machine Bolts (AC).
- Be sure that the unit is square before tightening all of the screws.



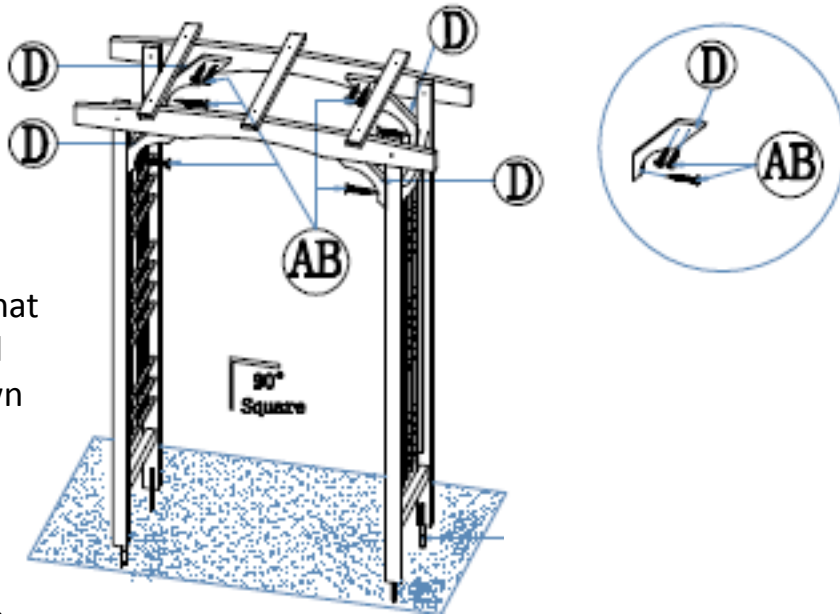
2465 Discovery Bay Blvd.  
Discovery Bay, CA 94505  
Video assembly instructions available at:  
[www.bluemarbledesigns.com](http://www.bluemarbledesigns.com)

# Landover Arbor Assembly Instructions

## Step 3

5. Position the Corner Brace (D) so that it is flush at the top with the Top Rail and tight against the Leg (A) as shown in Step 3.

- Be sure that the unit is square before attaching the Corner Braces.
- NOTE: Pilot holes have been provided to locate the Corner Braces.

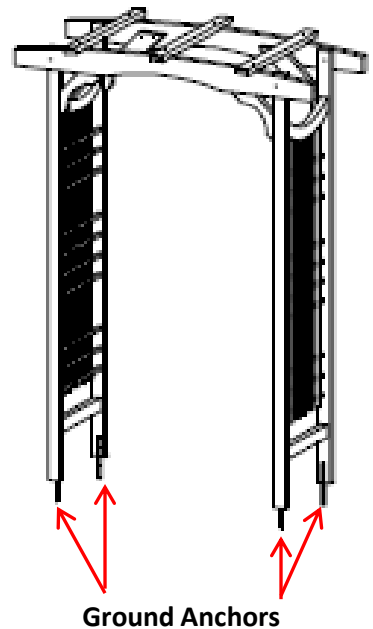


6. Secure the 4 Corner Braces using 12 Wood Screws (AB).

## Step 4

### Ground Anchor Hardware Kit

<b>AD</b>		4
<b>AA</b>		8



### Optional Ground Anchor Hardware (provided)

7. Attach the 4 Ground Anchors (AD) to each leg of the Leg Frame Assemblies, by inserting them into the grooves at the bottom of each Leg Frame Assembly and attaching them with the Small Wood Screws (AA).

*Enjoy your new Landover Arbor  
from Blue Marble Designs*